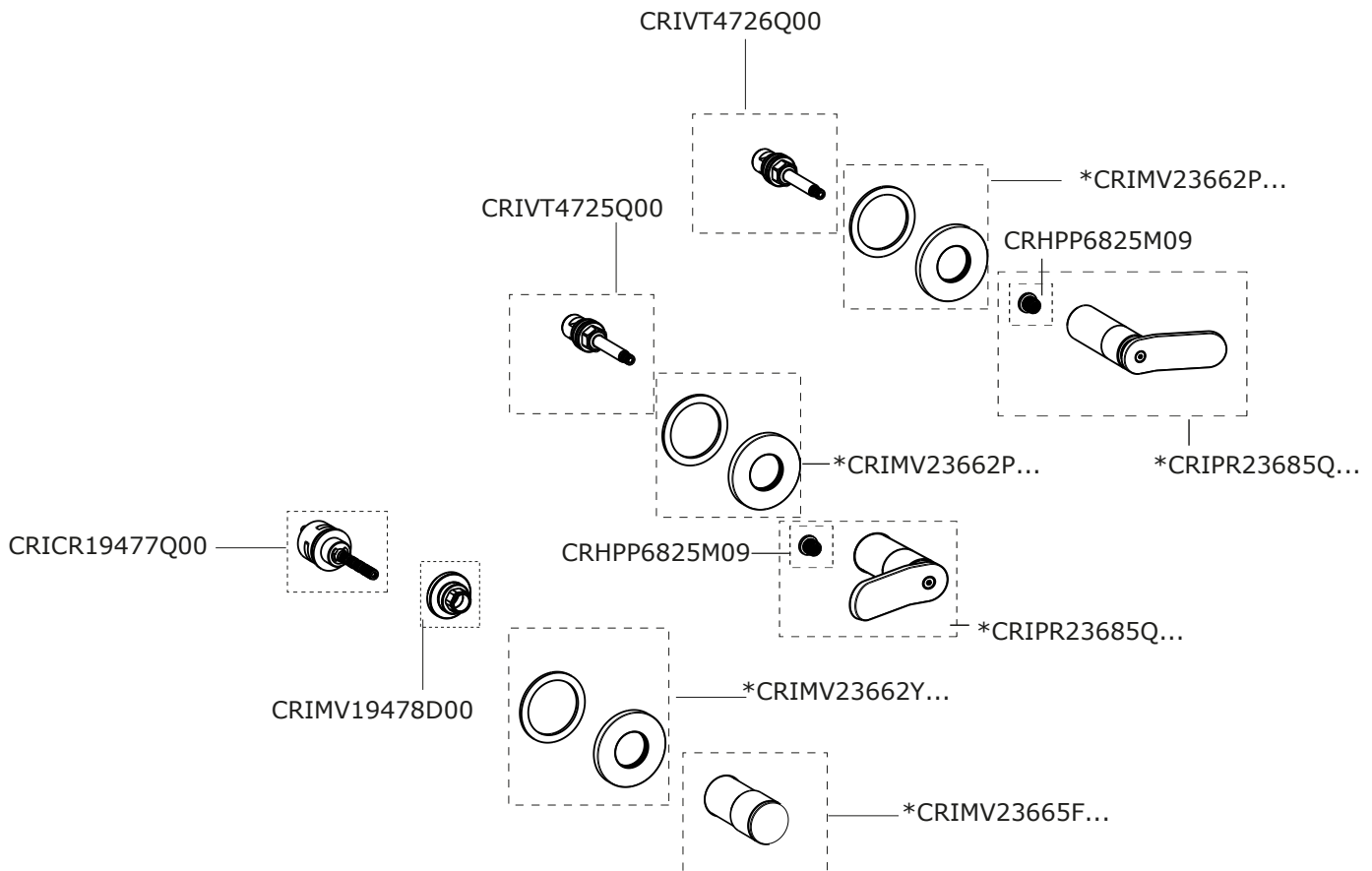


# EAST SIDE

CRIS162

SCHEDA RICAMBI | SPARE PARTS SHEET

rev.01\_02/2022



## NOTE | NOTES

\* completare con codice finitura | complete with finishing code