
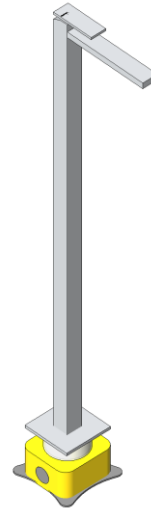


USER GUIDE

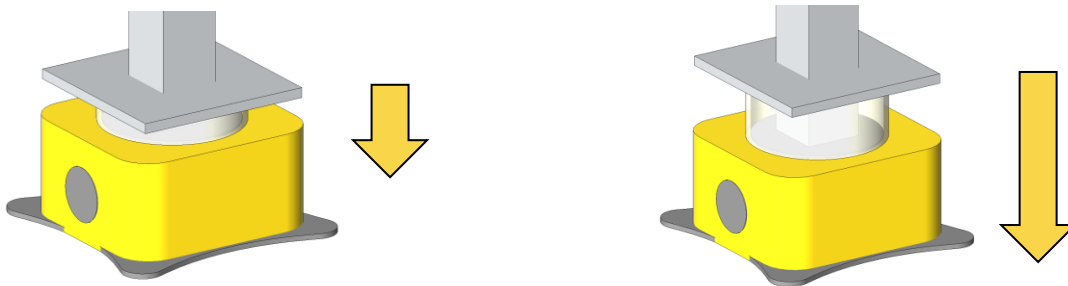
REVIT FILES

External floor standing washbasin set

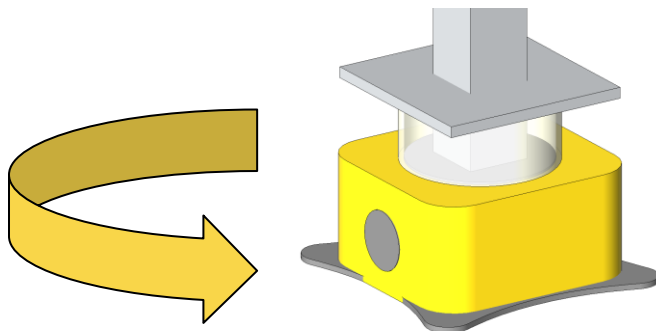
Properties	
	TABULA-CRITA290-External_single-control_floor_standing_washbasin_set_with_Up&Down_wa... CRITA29013 - Black matt
Plumbing Fixtures (1) ▼ Edit Type	
Constraints	
CSG orientation	0.00°
Cover height	38.3
Recessed set depth (70-100)	100.0
Recessed set depth	100.0
Max position	100.0
Min position	70.0
Offset	0.0
Work Plane	Linked Revit Model : ARCH.rvt
Construction	
Recessed set orientation 180°	<input type="checkbox"/>




Recessed set depth: Adjust the depth of the recessed part respect the external set. It is not possible to set a measurement different from the indicated range.

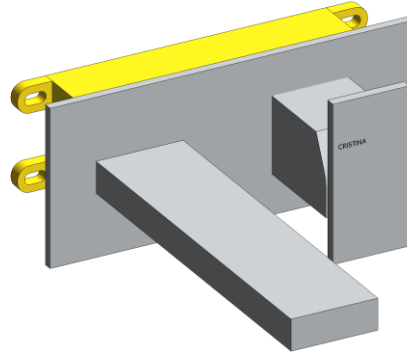


Recessed set orientation 180°: If marked, rotate the recessed part 180° to reverse the hot water inlet with the cold one.



External wall-mounted washbasin set

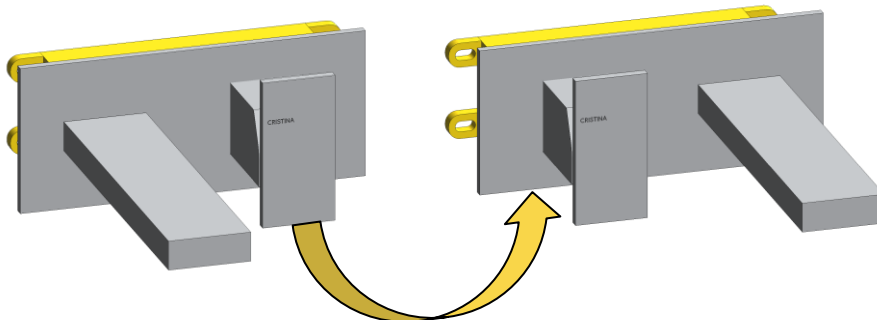
	TABULA-CRITA256-Regular_external_single-control_wall-mounted_washbasin_set_with_Up&Down_waste-CRISTINA... CRITA25613 - Black matt
Plumbing Fixtures (1) Edit Type	
Constraints	
Control position	204.5
Max position	60.0
Min position	36.0
Recessed set depth	36.0
Recessed set depth (36-60)	36.0
Recessed set offset	166.5
Spout position	106.5
Offset	0.0
Work Plane	Linked Revit Model : ARCH.rvt
Construction	
CRI_Right control	<input checked="" type="checkbox"/>



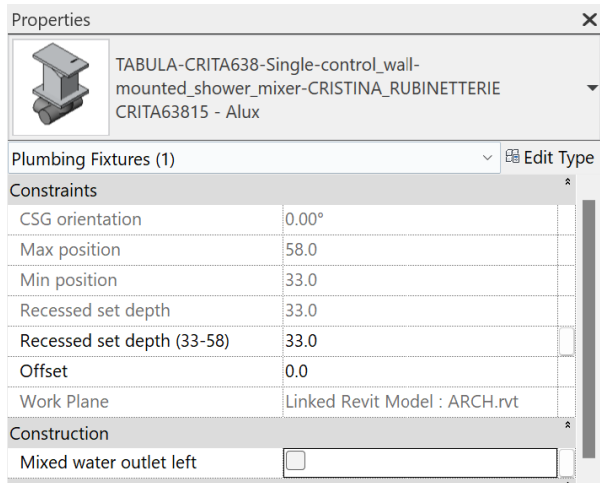
Recessed set depth: Adjust the depth of the recessed part respect the external set. It is not possible to set a measurement different from the indicated range.



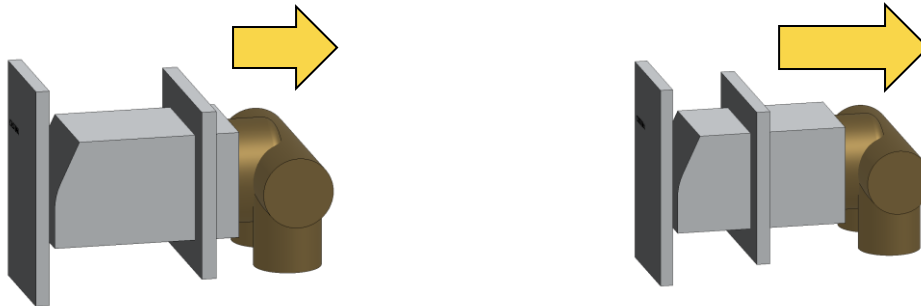
CRI_Right control: If marked, the version with right-hand control associated with the respective recess is proposed. If not marked, the solution will be displayed with command on the left.



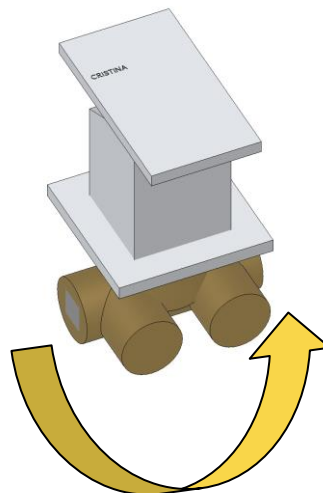
Wall-mounted shower mixer



Recessed set depth: Adjust the depth of the recessed part respect the external set. It is not possible to set a measurement different from the indicated range.



Mixed water outlet left: If marked, the mixed water outlet is on the left. If not marked, the mixed water outlet is to the right.



Showerheads and Shower Arms

Placement in an rvt file:

After positioning the shower arm on the wall, match the desired shower head, taking care to align the fitting connectors.

