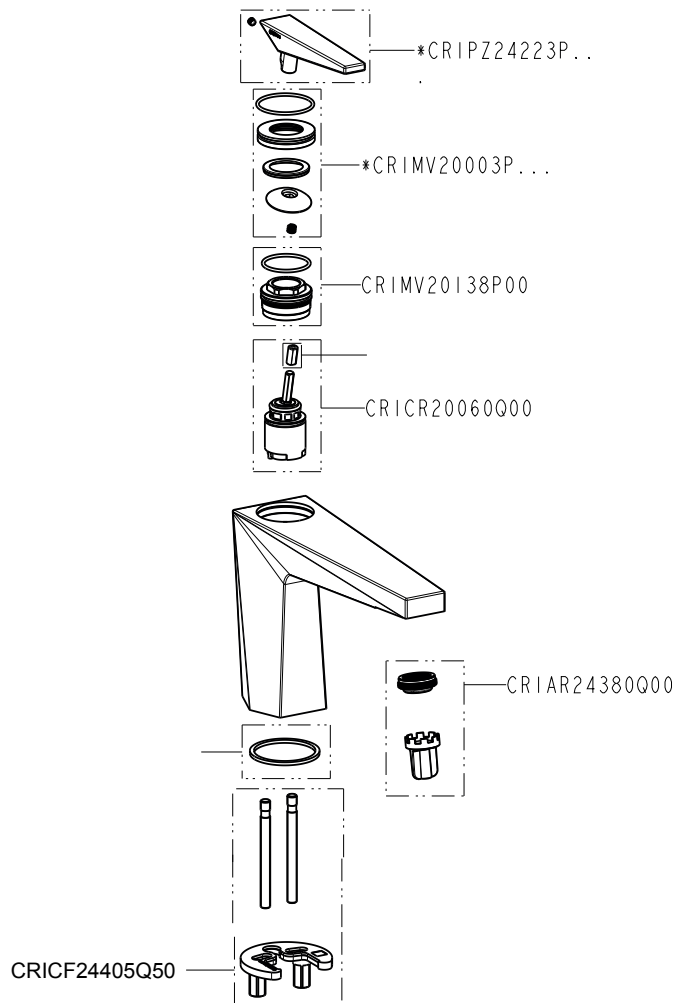


# FRACTAL

SCHEDA RICAMBI | SPARE PARTS SHEET

rev.01\_01/2025

CRIFT920



## NOTE | NOTES

\* completare con codice finitura | complete with finishing code