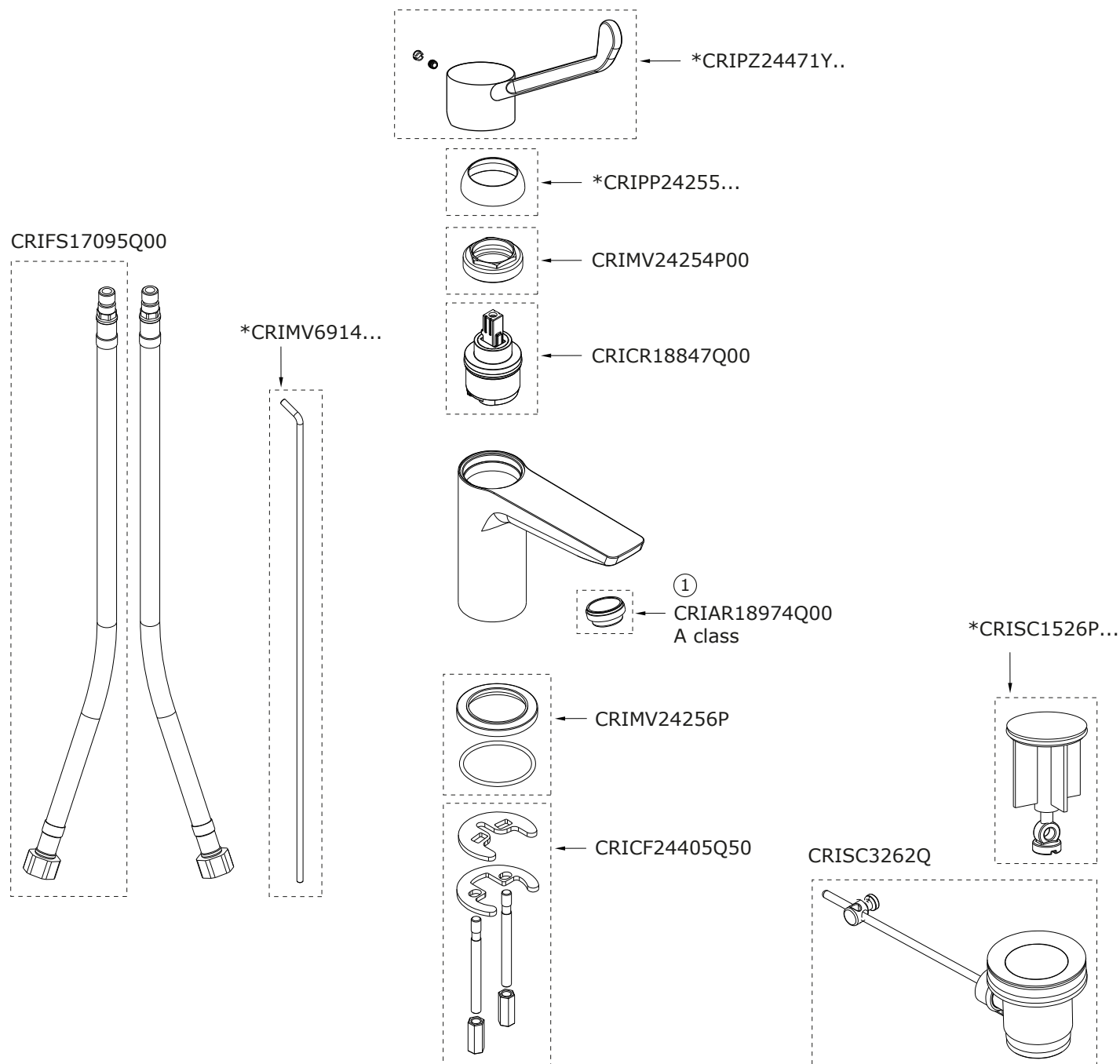


Clinic Taps

SCHEDA
RICAMBI
rev.02_11/2024

| SPARE PARTS SHEET

CRIPC221



NOTE | NOTES

* completare con codice finitura | complete with finishing code

① CRIAR18976Q00 5 lit/min