

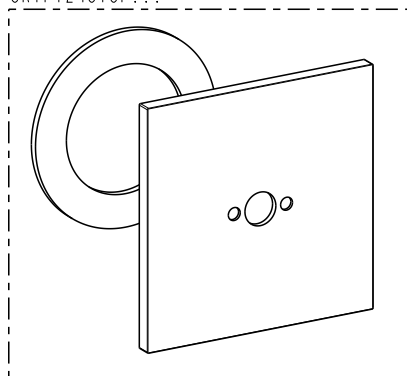
# BOCCHE EROGAZIONE

SCHEDA RICAMBI | SPARE PARTS SHEET

rev.01\_06/2022

CRIPD616

CRIP124315P...



CRIST13100P...

