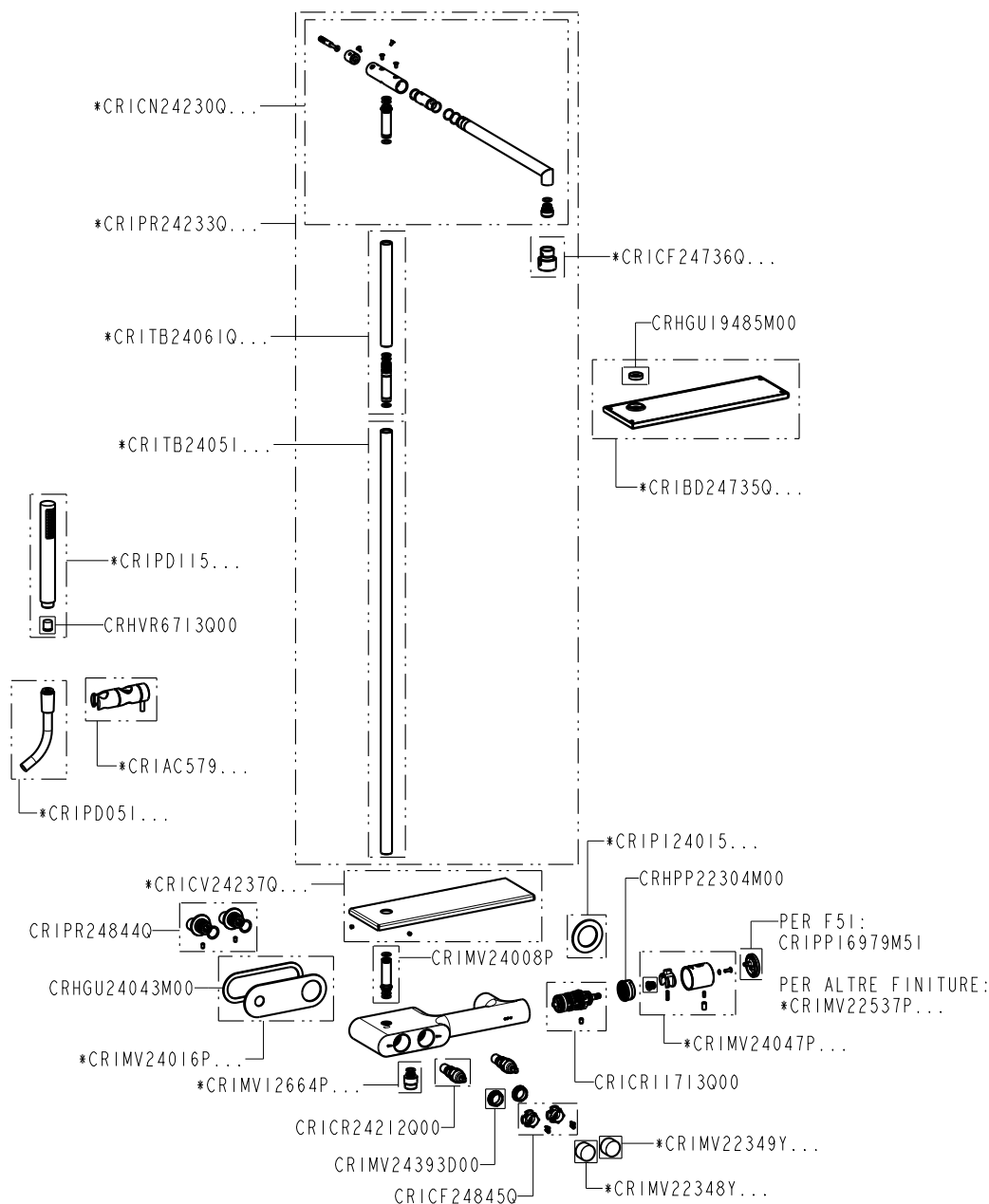


SHOWER COLUMNS

SCHEDA RICAMBI | SPARE PARTS SHEET
rev.06_2022

CRIXT486



NOTE | NOTES

* completare con codice finitura | complete with finishing code